

Generic Heavy Duty Truss



Component Weights

Part No	Description	WT (lbs)
HD10FN	10ft section Bolted connection	88
HD8FN	8ft section Bolted connection	73
HD5FN	5ft section Bolted connection	61
HD3MN	3m section Bolted connection	88
HD2MN	2m section Bolted connection	66
HD1MN	1m section Bolted connection	44
HDC2N	2 way corner section Bolted connection	38
HDC3N	3 way corner section Bolted connection	47
HDC4N	4 way corner section Bolted connection	56

Load Data

span (ft)	Uniform Loads			Center Pt. Load		Third Pt. Load		Quarter Pt. Load	
	load (plf)	load (lbs)	defl (in)	load (lbs)	defl (in)	load (lbs)	defl (in)	load (lbs)	defl (in)
5	1939	9696	0.01	4922	0.01	2461	0.01	2470	0.01
10	966	9658	0.04	4883	0.03	2442	0.03	2458	0.04
15	641	9620	0.13	4845	0.10	2423	0.09	2445	0.12
20	421	8425	0.27	4213	0.21	2403	0.21	2106	0.25
25	267	6672	0.41	3336	0.33	2384	0.40	1668	0.39
30	183	5489	0.60	2745	0.48	2059	0.61	1372	0.57
35	132	4634	0.81	2317	0.66	1738	0.83	1159	0.77
40	100	3983	1.06	1992	0.86	1494	1.08	996	1.01
45	77	3468	1.34	1734	1.10	1301	1.37	867	1.28
50	61	3049	1.66	1524	1.36	1143	1.69	762	1.58
55	49	2699	2.01	1349	1.66	1012	2.04	675	1.92
60	40	2400	2.38	1200	1.98	900	2.43	600	2.28

Truss Features

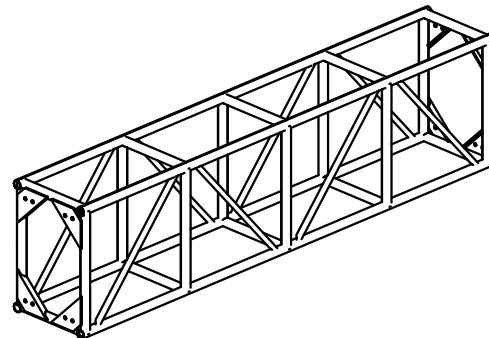
Description

- External Dimensions
- Connection Centers
- Material Type
- Connector Type
- Maximum Certified Span
- Notes

Specification

- 20-1/2"w. x 30"h.
- 13.78" x 23.28"
- 6061-T6 Aluminum
- 5/8" Grade 8 Steel nuts & bolts
- 60ft
- Also available in 30" x 30" wide format

3d view



Dimensions

