


Load Data



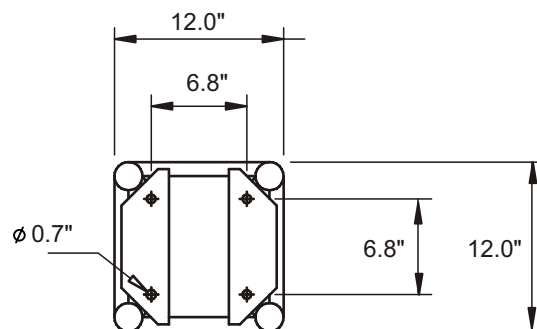
span (ft)	Uniform Loads			Center Pt. Load		Third Pt. Load		Quarter Pt. Load	
	load (plf)	load (lbs)	defl (in)	load (lbs)	defl (in)	load (lbs)	defl (in)	load (lbs)	defl (in)
5	817	4085	0.016	2398	0.015	1199	0.012	1182	0.017
10	406	4060	0.124	2372	0.116	1186	0.099	1174	0.136
15	262	3930	0.409	1965	0.329	1173	0.334	982	0.389
20	145	2903	0.727	1451	0.587	1089	0.743	726	0.692
25	91	2276	1.136	1138	0.921	854	1.160	569	1.083
30	62	1850	1.636	925	1.334	694	1.670	463	1.561
35	44	1538	2.227	769	1.828	577	2.272	385	2.127
40	24	950	2.235	475	1.867	356	2.276	238	2.143

Component Weights

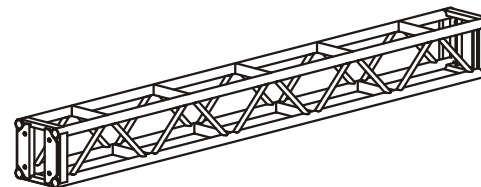
Part No	Description	WT (lbs)
E1210FN	10ft section Bolted connection	53
E128FN	8ft section Bolted connection	43
E123MN	3m section Bolted connection	34
E122MN	2m section Bolted connection	53
E121MN	1m section Bolted connection	38
LDC122N	2 way corner section Bolted connection	24
LDC123N	3 way corner section Bolted connection	31
LDC124N	4 way corner section Bolted connection	35
LDC125N	5 way corner section Bolted connection	40
LDC126N	6 way corner section Bolted connection	44



Dimensions



3d view



Truss Features

Description

- External Dimensions
- Connection Centers
- Material Type
- Connector Type
- Maximum Certified Span
- Notes

Specification

- 12"w. x 12"h.
- 6.78"w. x 6.78"h.
- 6061-T6 Aluminum
- 5/8" Grade 8 Steel nuts & bolts
- 40ft
- Also available in 12" x 18" wide format