


Load Data



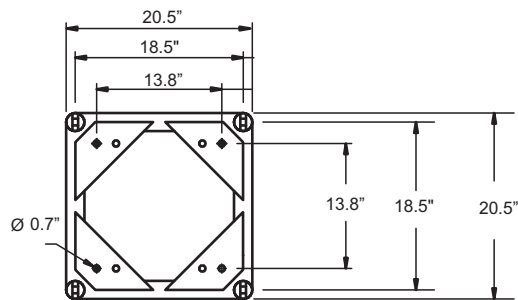
span (ft)	Uniform Loads			Center Pt. Load		Third Pt. Load		Quarter Pt. Load	
	load (plf)	load (lbs)	defl (in)	load (lbs)	defl (in)	load (lbs)	defl (in)	load (lbs)	defl (in)
5	1241	6204	0.005	6120	0.007	3060	0.006	2068	0.006
10	616	6162	0.038	6077	0.060	3039	0.051	2054	0.48
15	408	6119	0.129	6035	0.201	3017	0.172	2040	0.168
20	304	6077	0.305	4672	0.373	2996	0.407	2026	0.384
25	241	6034	0.595	3699	0.584	2775	0.741	1850	0.69
30	200	5992	1.028	3044	0.844	2283	1.066	1522	0.994
35	147	5139	1.421	2570	1.152	1927	1.451	1285	1.354
40	110	4417	1.856	2209	1.511	1656	1.894	1104	1.77
45	85	3846	2.349	1923	1.922	1442	2.397	962	2.242
50	68	3381	2.900	1690	2.385	1268	2.957	845	2.771
55	54	2992	3.509	1496	2.902	1122	3.577	748	3.358
60	44	2630	4.136	1315	3.443	986	4.213	658	3.962
65	30	1918	4.136	959	3.493	719	4.207	479	3.975
70	20	1383	4.136	691	3.557	519	4.200	346	3.991
75	13	970	4.136	485	3.636	364	4.191	243	4.011
80	8	645	4.136	322	3.733	242	4.180	161	4.035

Component Weights

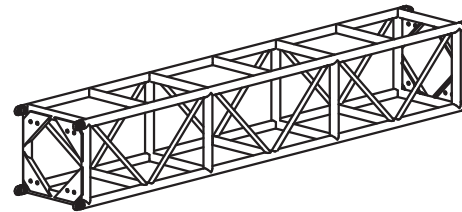
Part No	Description	WT (lbs)
O16MD10	10ft section	128
O16MD8	8ft section	103
O16MD5	5ft section	87
O16MD3M	3m section	127
O16MD2M	2m section	96
O16MD1M	1m section	67



Dimensions



3d view



Truss Features

Description

- External Dimensions
- Connection Centers
- Material Type
- Connector Type
- Maximum Certified Span

Specification

- 20-1/2" w. x 20-1/2"h.
- 18-1/2"w. x 18-1/2"h.
- 6061-T6 Aluminum
- OMNI Connectors
- 80ft