

Generic Light Duty Truss



Component Weights

Product	Part No	Description	WT (lbs)
Light Duty 12" x 12"	LD1210FN	10ft section Bolted connection	59
	LD128FN	8ft section Bolted connection	48
	LD125FN	5ft section Bolted connection	37
	LD123MN	3m section Bolted connection	59
	LD122MN	2m section Bolted connection	42
	LD121MN	1m section Bolted connection	24
	LDC122N	2 way corner section Bolted connection	26
	LDC123N	3 way corner section Bolted connection	31
	LDC124N	4 way corner section Bolted connection	35
	LDC125N	5 way corner section Bolted connection	40
LDC126N	6 way corner section Bolted connection	44	
Light Duty Triangular	LDT1210FN	10ft section Bolted connection	48
	LDT128FN	8ft section Bolted connection	38
	LDT125FN	5ft section Bolted connection	27
	LDT123MN	3m section Bolted connection	48
	LDT122MN	2m section Bolted connection	32
	LDT121MN	1m section Bolted connection	18
	LDT121MN	1m section Bolted connection	18
LDT122N	2 way corner section Bolted connection	16	
LDT123N	3 way corner section Bolted connection	25	
LDT124N	4 way corner section Bolted connection	34	
Light Duty 12" x 18"	LD1810FN	10ft section Bolted connection	66
	LD188FN	8ft section Bolted connection	53
	LD185FN	5ft section Bolted connection	42
	LD183MN	3m section Bolted connection	65
	LD182MN	2m section Bolted connection	46
	LD181MN	1m section Bolted connection	31
	LDC182N	2 way corner section Bolted connection	27
	LDC183N	3 way corner section Bolted connection	32
LDC184N	4 way corner section Bolted connection	36	

Load Data 12 x 12" and 12 x 18"

span (ft)	Uniform Loads			Center Pt. Load		Third Pt. Load		Quarter Pt. Load	
	load (plf)	load (lbs)	defl (in)	load (lbs)	defl (in)	load (lbs)	defl (in)	load (lbs)	defl (in)
5	767	3836	0.02	1307	0.01	653	0.01	646	0.01
10	381	3809	0.12	1279	0.06	640	0.05	637	0.08
15	252	3781	0.40	1251	0.21	626	0.18	628	0.25
20	145	2894	0.73	1224	0.50	612	0.43	619	0.60
25	91	2266	1.14	1133	0.92	598	0.84	566	1.08
30	61	1837	1.64	919	1.34	584	1.44	459	1.56
35	44	1524	2.23	762	1.83	570	2.27	381	2.13
40	23	933	2.24	467	1.87	350	2.28	233	2.15

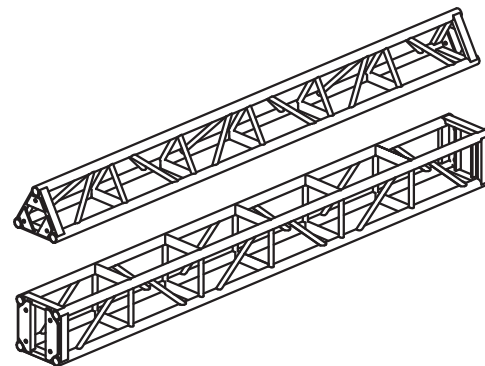
Load Data Triangular

5	665	3327	0.03	1137	0.01	568	0.01	561	0.02
10	331	3308	0.20	1117	0.11	559	0.09	555	0.13
15	150	2256	0.47	1098	0.37	549	0.32	549	0.44
20	83	1658	0.84	829	0.68	540	0.75	415	0.80
25	52	1292	1.31	646	1.07	485	1.34	323	1.25
30	31	939	1.72	469	1.41	352	1.76	235	1.64
35	15	529	1.72	265	1.45	199	1.75	132	1.65
40	7	291	1.72	146	1.50	109	1.75	73	1.66

Truss Features

Description	Specification
■ External Dimensions	■ 12"w. x 12"h.
■ Connection Centers	■ 6.78"w. x 6.78"h.
■ Material Type	■ 6061-T6 Aluminum
■ Connector Type	■ 5/8" Grade 8 Steel nuts & bolts
■ Maximum Certified Span	■ 40ft
■ Notes	■ Also available in 12" x 18" wide format

3d view



Dimensions

